

Installation Instruction



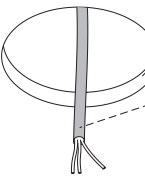
1. The lamp must be installed in rated voltage and assure safety earth.
2. Installing and fixing the lamp should be processed by professional under the condition power off.
3. When change the lamp bulb please noted that the max wattage shouldn't exceed the labeled wattage.
4. If the external electrical wire damage please change by the professional in time in case of any danger.
5. Don't let the lamp body contact strong acid or alkaline solution.



Rated voltage: In accordance with the product labeled





Rated power: In accordance with the product labeled

1 POWER OFF



Thickness 5mm-10mm

Single/Twin x1
Triple/Quad x2

Single  Ø55mm
Twin  103x55mm
Square-Triple  153x55mm
Square-Quad  203x55mm

