

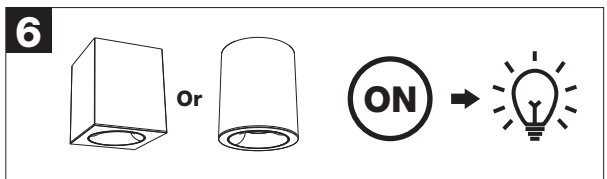
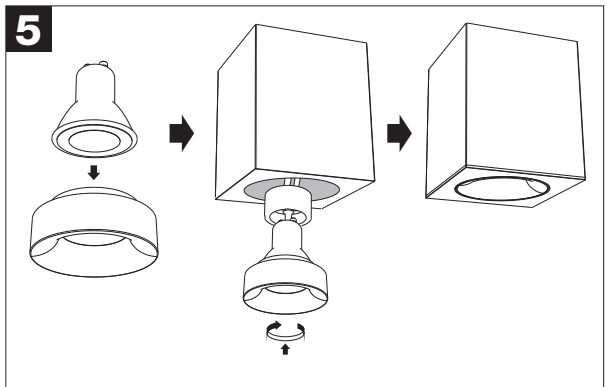
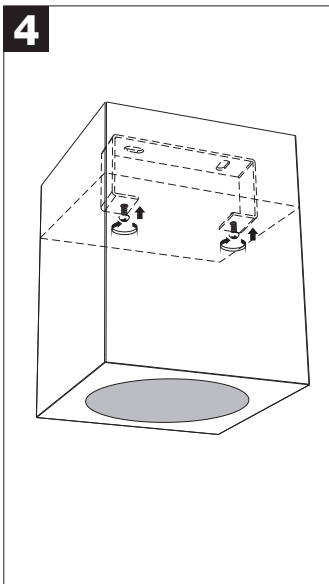
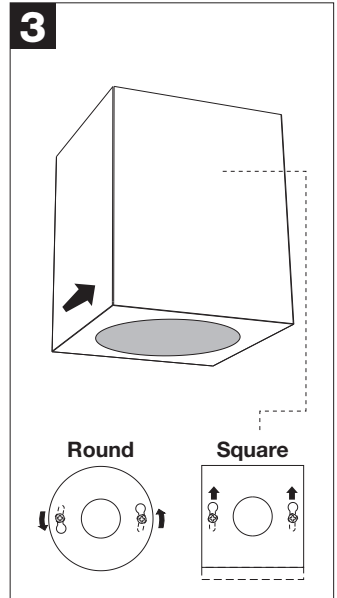
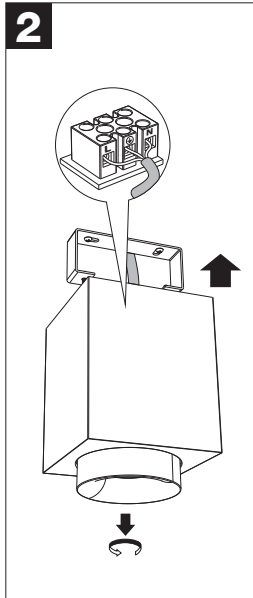
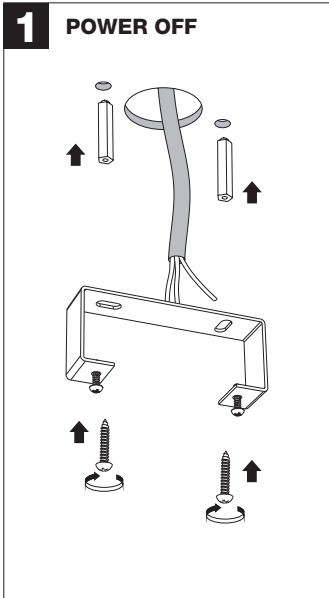
# Installation Instruction



1. The lamp must be installed in rated voltage and assure safety earth.
2. Installing and fixing the lamp should be processed by professional under the condition power off.
3. When change the lamp bulb please noted that the max wattage shouldn't exceed the labeled wattage.
4. If the external electrical wire damage please change by the professional in time in case of any danger.
5. If the lamp source needs control gear, when the lamp fitting without control gear, pls connect a control gear to the lamp source before lighting it up.

Rated voltage: In accordance with the product labeled

Rated power: In accordance with the product labeled



# Installation Instruction



1. The lamp must be installed in rated voltage and assure safety earth.
2. Installing and fixing the lamp should be processed by professional under the condition power off.
3. When change the lamp bulb please noted that the max wattage shouldn't exceed the labeled wattage.
4. If the external electrical wire damage please change by the professional in time in case of any danger.

Rated voltage: In accordance with the product labeled  
Rated power: In accordance with the product labeled

