

# Installation Instruction

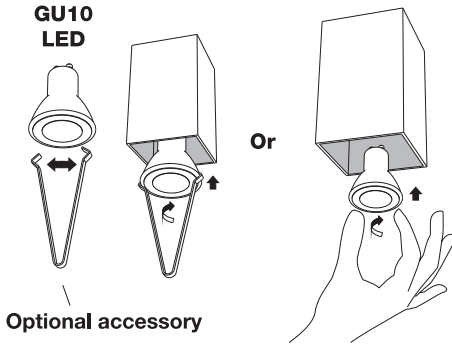


1. The lamp must be installed in rated voltage and assure safety earth.
2. Installing and fixing the lamp should be processed by professional under the condition power off.
3. When change the lamp bulb please noted that the max wattage shouldn't exceed the labeled wattage.
4. If the external electrical wire damage please change by the professional in time in case of any danger.

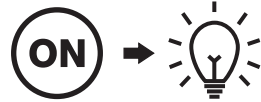
Rated voltage: In accordance with the product labeled  
Rated power: In accordance with the product labeled



1



2

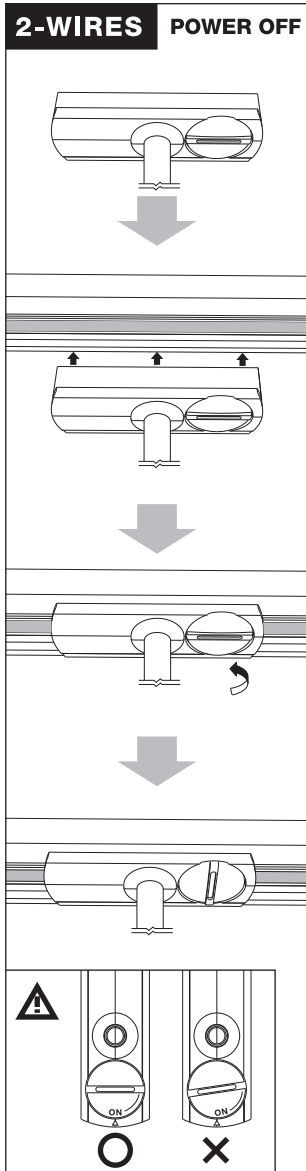


# Installation Instruction

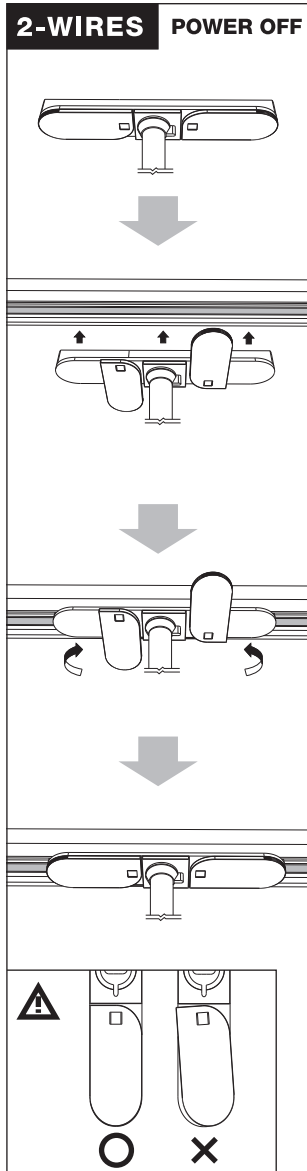


1. The lamp must be installed in rated voltage and assure safety earth.
2. Installing and fixing the lamp should be processed by professional under the condition power off.
3. When change the lamp bulb please noted that the max wattage shouldn't exceed the labeled wattage.
4. If the external electrical wire damage please change by the professional in time in case of any danger.

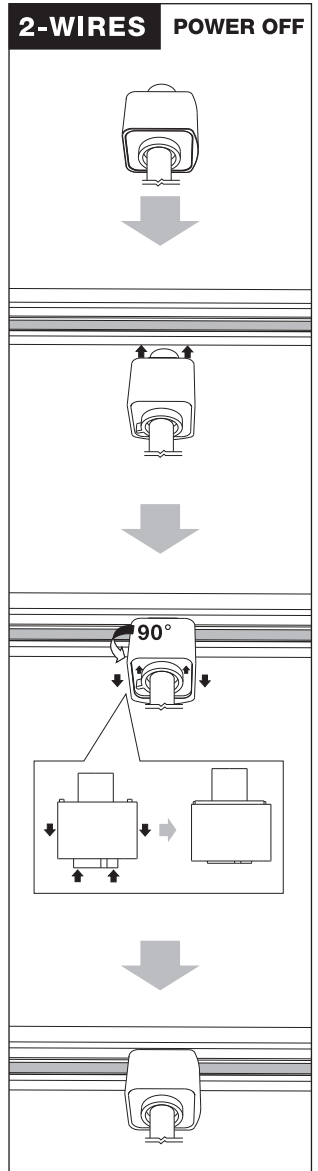
Rated voltage: In accordance with the product labeled  
 Rated power: In accordance with the product labeled



Turn off if need to be removed



Turn off if need to be removed

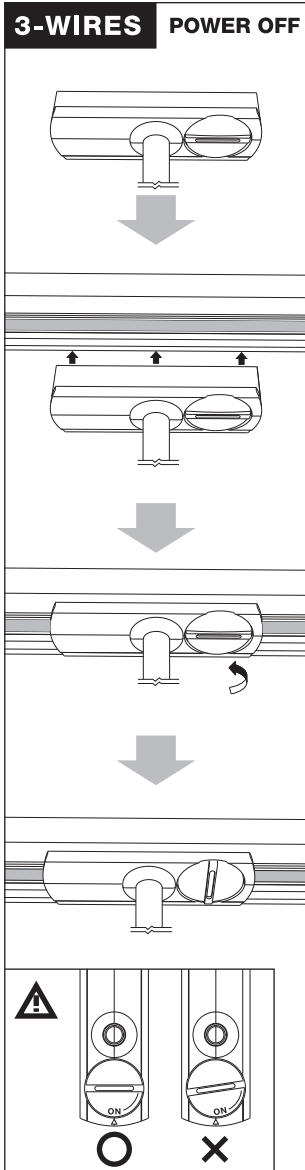


# Installation Instruction

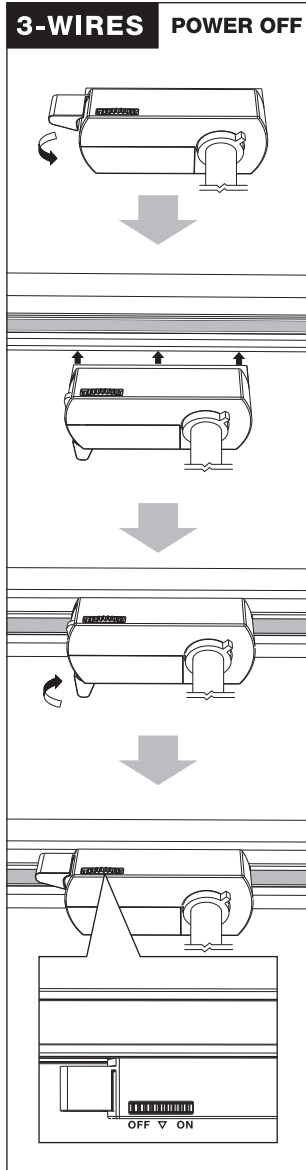


1. The lamp must be installed in rated voltage and assure safety earth.
2. Installing and fixing the lamp should be processed by professional under the condition power off.
3. When change the lamp bulb please noted that the max wattage shouldn't exceed the labeled wattage.
4. If the external electrical wire damage please change by the professional in time in case of any danger.

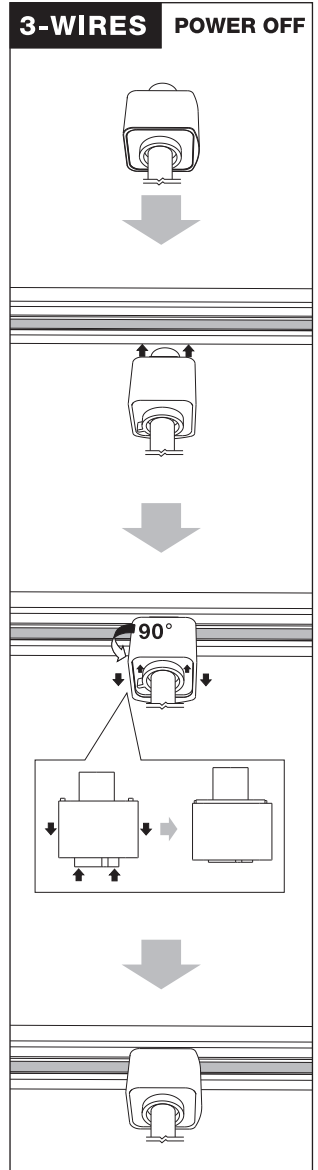
Rated voltage: In accordance with the product labeled  
 Rated power: In accordance with the product labeled



Turn off if need to be removed



Turn off if need to be removed



# Installation Instruction



1. The lamp must be installed in rated voltage and assure safety earth.
2. Installing and fixing the lamp should be processed by professional under the condition power off.
3. When change the lamp bulb please noted that the max wattage shouldn't exceed the labeled wattage.
4. If the external electrical wire damage please change by the professional in time in case of any danger.

Rated voltage: In accordance with the product labeled  
 Rated power: In accordance with the product labeled



**4-WIRES POWER OFF**

**1**

**2**

**3**

**4**

Turn off if need to be removed

**4-WIRES POWER OFF**

**2**

**3**

**4**

Turn off if need to be removed

**4-WIRES POWER OFF**

**2**

**3**

**4**

Turn off if need to be removed