

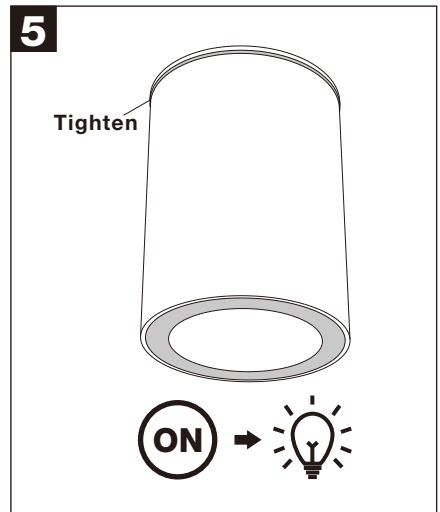
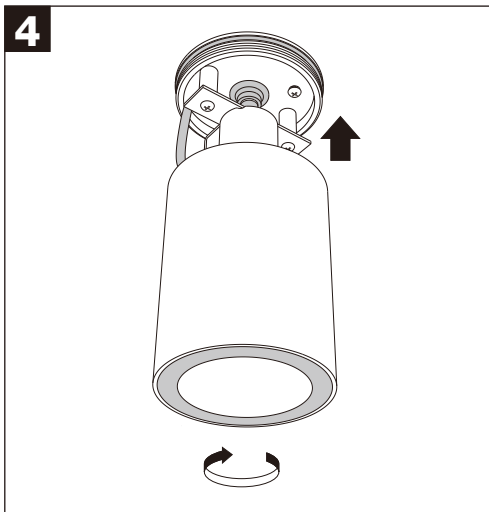
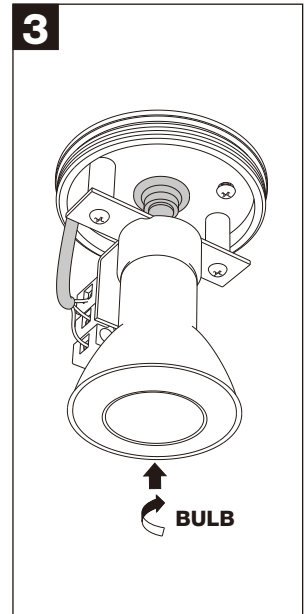
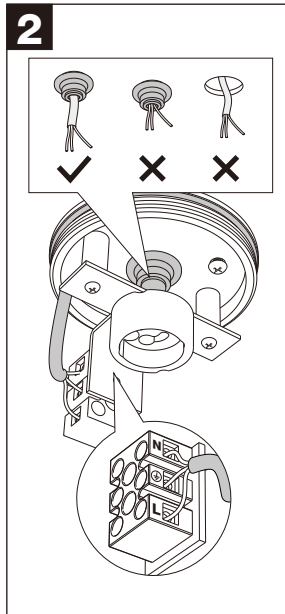
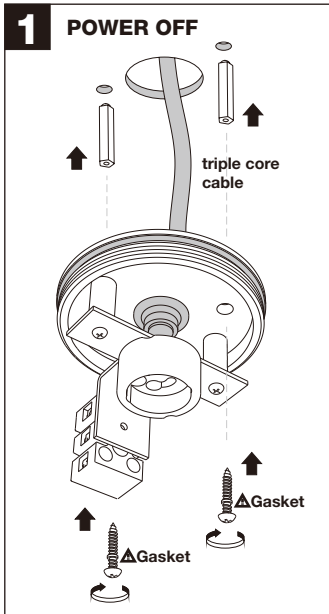
Installation Instruction



1. The lamp should be operated at rated voltage and assure safety earth connection.
2. The lamp should be installed and fixed by professional when powered off.
3. The max wattage of lamp bulb shouldn't exceed the labeled wattage.
4. If the external electrical wire is damaged, it should be changed by professional in time in case of any danger.
5. If the lamp source needs control gear, when the lamp fitting without control gear, pls connect a control gear to the lamp source before lighting it up.
6. Must be ceiling surface mounted.
7. Don't let the lamp body contact strong acid or alkaline solution.

Rated voltage: In accordance with the product label
Rated power: In accordance with the product label

IP65



Installation Instruction



1. The lamp should be operated at rated voltage and assure safety earth connection.
2. The lamp should be installed and fixed by professional when powered off.
3. The max wattage of lamp bulb shouldn't exceed the labeled wattage.
4. If the external electrical wire is damaged, it should be changed by professional in time in case of any danger.
5. If the lamp source needs control gear, when the lamp fitting without control gear, pls connect a control gear to the lamp source before lighting it up.
6. Must be ceiling surface mounted.
7. Don't let the lamp body contact strong acid or alkaline solution.

Rated voltage: In accordance with the product label
Rated power: In accordance with the product label

IP65

